

# PPC-Z103PW

**Arestech**

10.1" Fanless Multi-touch IP66/69K Full Waterproof Panel PC with Intel® Apollo Lake Pentium® N4200 Processor



## Features

- 10.1" TFT LED panel with Capacitive touch display
- Embedded Intel® Pentium® N4200
- System memory max 8G SDRAM
- Internal SATA 2.5" HDD and m.2 2242 socket
- M12 Connectors 1 GbE LAN, 1 2xUSB2.0, 1COM
- VESA and Yoke mounting
- 9~36 V DC Power Input Connectors (Waterproof switch)
- -20~60° C Operating Temperature

## Applications

- Food & Beverage Processing Industrial
- Pharmaceutical and Biopharmaceutical Equipment
- Embedded HMI Display System
- Factory Manufacturing Automation

## → Packing List

Description
1 x PPC-Z103PW

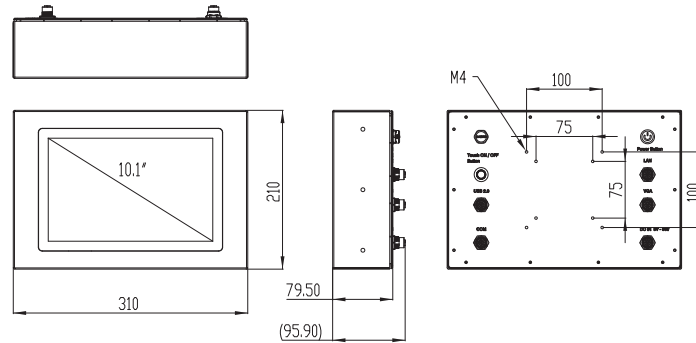
## → Optional Items

Part No.	Description
APW-60M12V-01	12V, 60W, 5A, 5-pin M12 Connector (US)
APW-60M12V-02	12V, 60W, 5A, 5-pin M12 Connector (EU)
AKT-USB2M12	M12 Connector to USB Cable, 2m
AKT-USB32M12	M12 Connector to USB3.0 Cable, 2m
AKT-VGA2M12	M12 Connector to DB15 Cable, 2m
AKT-COM2M12	M12 Connector to DB9 Cable, 2m
AKT-LAN2M12	M12 Connector to LAN Cable, 2m
AWD-WF006	wifi 802.11 a/b/g/n/ac/BT4.0 (2T2R) + 2 IP66 antenna(dual band), miniPCIe Half size
AWD-WF007	wifi 802.11 b/g/n/BT4.0 (1T1R) + 1 IP66 antenna(dual band), mini PCIe Half size

## → Ordering Information

Part No.	Description
PPC-Z103PW-B61A2	10.1" 16:9 (1280 x 800), 500nits, Stainless Steel 316 Full IP66/69K Protection, Fanless Panel PC with Intel® Pentium™ N4200 CPU, Projected Capacitive Touch, 4G RAM, 64G SSD, 1VGA, 2 USB 2.0, 1 RS-232/422/485, 1 GbE, DC 9-36V (M12 Connector)

## → Dimensions



## → Specifications

Model		PPC-Z103PW-B61A2
Processor System	CPU	Intel® Pentium® N4200
	Frequency	Quad-Core 1.1 GHz/2.5GHz(boost)
	L2 Cache	2 MB
	System Chipset	N/A
	BIOS	UEFI
Memory	Technology	DDR3L 1866 MHz SDRAM
	Max. Capacity	8 GB
	Socket/ (On Board)	2 SO-DIMM
Display	Panel Size	10.1" LCD Panel
	Aspect Ratio	8:5
	Resolution	1280 X 800
	Viewing Angle	75 x 80 (H) x 80 x 80 (V)
	Brightness	500(cd/m2)
	Contrast Ratio	800:1
	VGA / HDMI / DP / DVI	1, VGA, Up to 1920 x 1200 @ 60Hz, M12 Connector, (Option)
Touchscreen	Multi Display	LCD + VGA
	Touchscreen Type	Projected Capacitive
	Surface Hardness	7 Mohs
	Durability	N/A
I/O Interface	Transparency	90% (±3%)
	USB	2, USB 2.0 (M12 Connector)
	Serial Port	1, COM (RS232/422/485) (M12 Connector)
	Digital I/O	N/A
	Ethernet	Single GbE, 10/100/1000 Mbps (Intel i211AT) (M12 Connector)
Expansion	Others	N/A
	miniPCIe/ M.2 Slot	1, mini-PCIe (full size, PCIe1 +USB)
Audio	PCI/ PCIe Slot	N/A
	Connector	N/A
Storage	HDD/SSD	1, Internal 2.5" HDD/SSD
	mSATA/ M.2 / eMMC	Supports 1 M.2 B/M Key 2242
	Power On Model	AT/ATX
Power	Power Supply Voltage	9~36 V DC input
	Connector Type	M12 Connector
	Power Consumption(Typical/Max.)	Typical:1A@12V(12W), Max:1.8A@12V(21.6W)
	Battery	CR2032;3.3V
Mounting	VESA Mount	75mmx 75mm; 100mm x 100mm
	Panel Mount	N/A
	Others	Yoke Mount
Environment	Operating Temperature	-20 ~60° C (-4~ 158° F) w/ 2.5" HDD (Operational humidity: 60° C @ 95% RH Non-Condensing)
	Storage Temperature	-40~85° C (-40~185° F)
	Humidity	5~95% @ 40° C, non-condensing
	Vibration	1 Grms, IEC 60068-2-64, random, 5~500 Hz, 1 Oct/min., 1hr/axis, x, y, z 3 axes
	Shock	20 G, IEC 60068-2-27, half sine, 11 ms duration
General	Certification	TBD
	Thermal Dissipation	Fanless
	Material, Surface Finish	Stainless steel 316, Brush polish
	Ingress Protection	Full IP66/IP69K Protection
	Dimensions (L x W x H)	310 x 79.5 x 210 mm (12.2"x 3.13"x 8.26")
	Net Weight	3.145 kg (7.51lb)
Operating System	Windows 10 IoT, Linux	